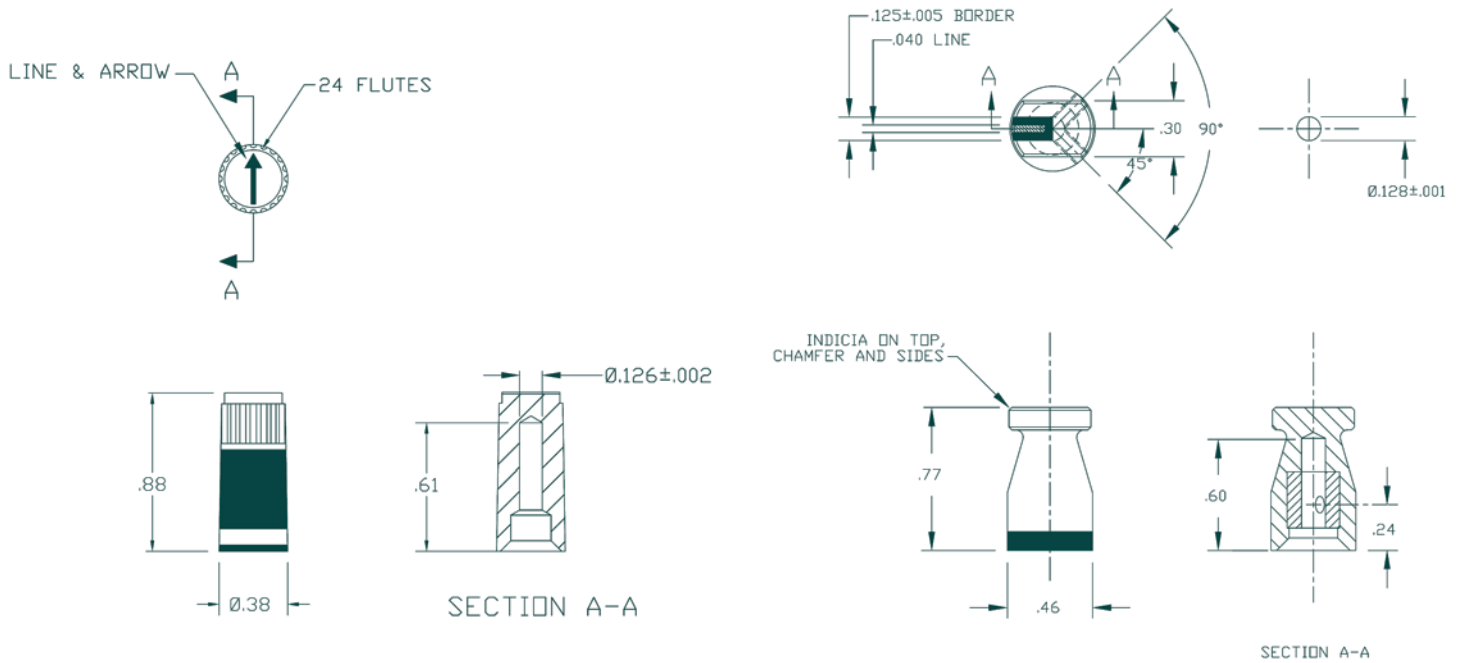


# TRANSILLUMINATED CPK SERIES



## CPK SERIES

Style Number	A	B	E	F	Set Screws
	Base Diameter	Height	Set Screw Height	Shaft Hole Depth	1/8
29-01059	0.38	0.88	w/o	0.61	-
29-01061	0.38	0.88	w/o	0.61	-
29-01067	0.38	0.88	w/o	0.61	-
29-01064	0.46	0.77	0.15	0.60	MS51021-101

### Design Variations

- Set screw locations can vary
- Markings and color can vary according to customer specifications (see page 4T)
- Multiple stripes and colors are available
- Multiple shaft diameters are available with and without set screws

*Detailed drawings are available for each style*

All of our backlighted knobs can be manufactured for night vision use. Our night vision knobs meet NVIS "Green A" requirements.

